

**ABBATTITORI/CONGELATORI
BLAST CHILLERS AND FREEZERS**

BLAST CHILLERS/FREEZERS 10kg GN 1/1 CROSSWISE

Code	Avv	Model	Description	Ref.	Page	Brand
726659	17/17	RBF051	BLAST CHILLER/FREEZER 12,5/7KG GN1/1	a	2 3 4 5 6	Electrolux
110781	16/18	BCF7A	BLAST CHILLER/FREEZER 12,5/7KG GN1/1	b	2 3 4 5 6	Zanussi
728526	16/18	EBAC005	BLAST CHILLER/FREEZER 12,5/7 KG GN1/1	c	2 3 4 5 6	Alpeninox
726658	17/19	RBC051	BLAST CHILLER 10KG GN1/1	d	2 3 4 5 6	Electrolux
110780	15/17	BC10A	BLAST CHILLER 10KG GN1/1	e	2 3 4 5 6	Zanussi
728525	15/17	EABP0071	BLAST CHILLER 10 KG GN1/1	f	2 3 4 5 6	Alpeninox
727130	05/07	RBF0516	BLAST CHILL/FREEZER 12,5/7KG GN1/1-60HZ	n	2 3 4 5 6	Electrolux

Note:

This document is available from ser.N°~03607000..

update the relay code 088267 with code 088557 from serial n°11507003

Pag./Page

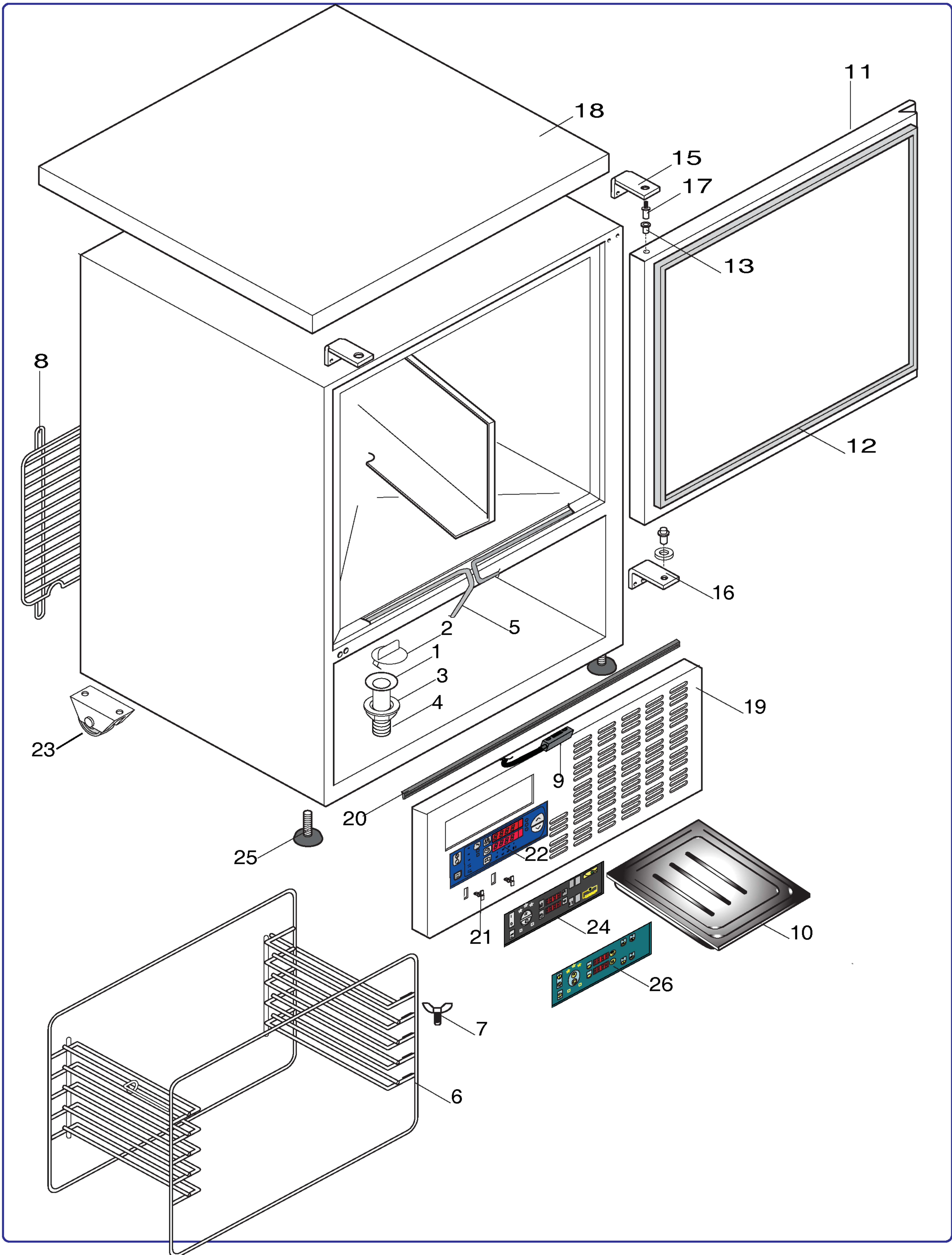
2
3
4
5
6

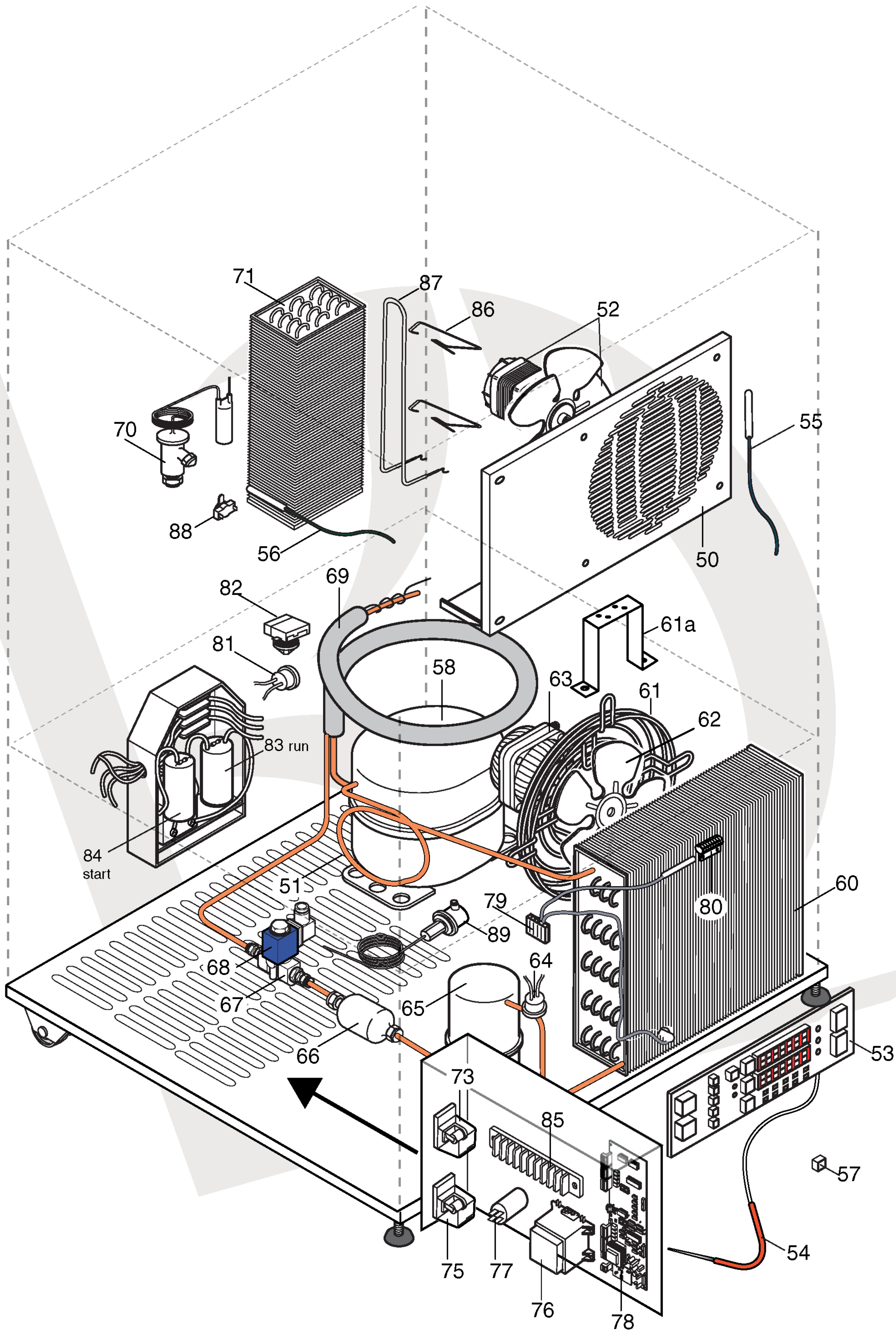
Indice

Mobile
Lista ricambi
Gruppo
Lista ricambi
Lista ricambi

Index

Cabinet
Spare parts list
Coling unit
Spare parts list
Spare parts list





ABBATTITORI**CHILLER /FREEZER****"CW 7/12KG"**

Code	Model	Ref.	Page	Version	Notes
110199	BCF7A6	h	2,3,4	00	BLAST CHILL/FREEZER 12,5/7KG GN1/1-60HZ
110780	BC10A	g	2,3,4	30	BLAST CHILLER 10KG GN1/1
110781	BCF7A	d	2,3,4	30	BLAST CHILLER/FREEZER 12,5/7KG GN1/1 404A
726658	RBC051	e	2,3,4	32	BLAST CHILLER 10KG GN1/1 304A
726659	RBF051	a	2,3,4	31	BLAST CHILLER/FREEZER 12,5/7KG GN1/1 404A
727130	RBF0516	b	2,3,4	23	BLAST CHILL/FREEZER 12,5/7KG GN1/1-60HZ 404A
727496	RBF051T	a	2,3,4	03	BLAST CHILLER/FREEZER 12,5/7KG GN1/1 TK 404A
728525	EABP0071	f	2,3,4	31	BLAST CHILLER 10 KG GN1/1
728526	EBAC005	c	2,3,4	30	BLAST CHILLER/FREEZER 12,5/7 KG GN1/1 404A

Index and pages

Full Door/Porta intera	2
Cooling unit / Gruppo	3
Control panel/Pannello di controllo	4

Last Updates

Ed. 04 2016

Page

5

Grassetto = ultima modifica
Bold = last change* Componenti a richiesta
* Components on demand

From Ser. Nr.43510001... / Up to Ser. Nr....

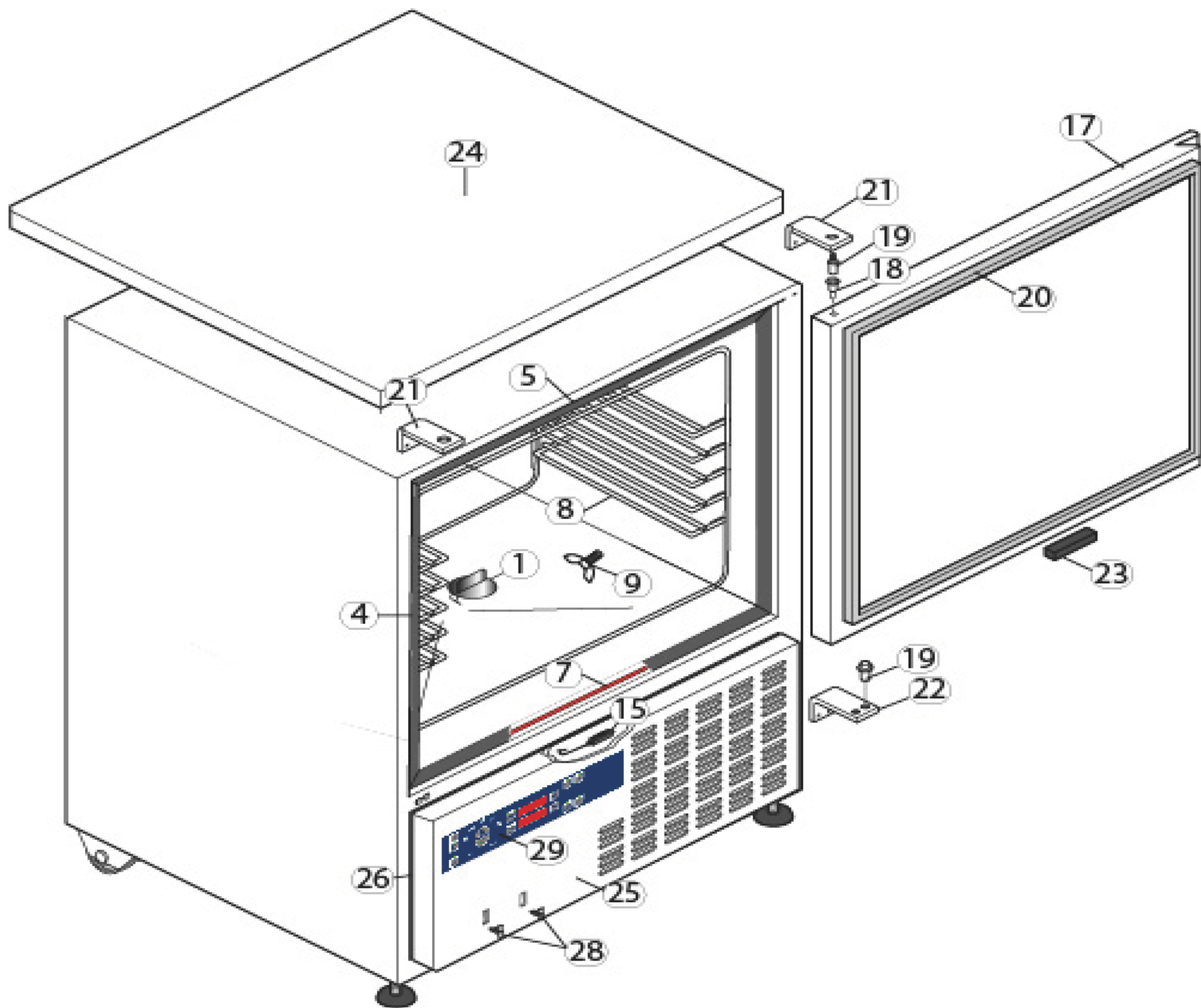
Page: 1

Updated Apr 2016

Ed. 02 Jan.-2015

Doc. Nr.: 541318b

Full door



541318b ABB10KG

Grassetto = ultima modifica
 Bold = last change

* Componenti a richiesta
 * Components on demand

From Ser. Nr.43510001 / Up to Ser. Nr....

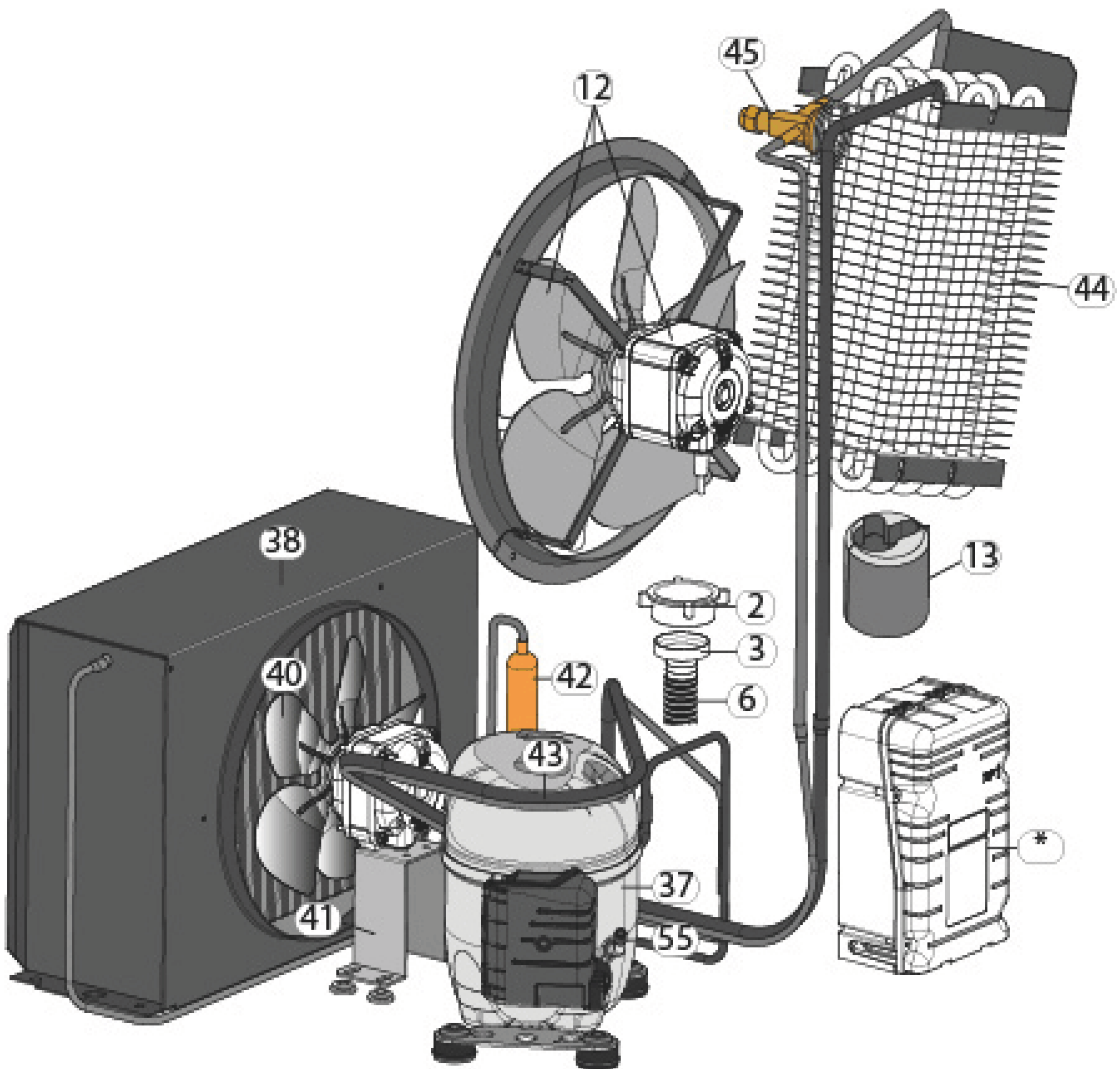
Updated Apr 2016

Page: 2

Ed. 02

Doc. Nr.: 54318b

Cooling unit

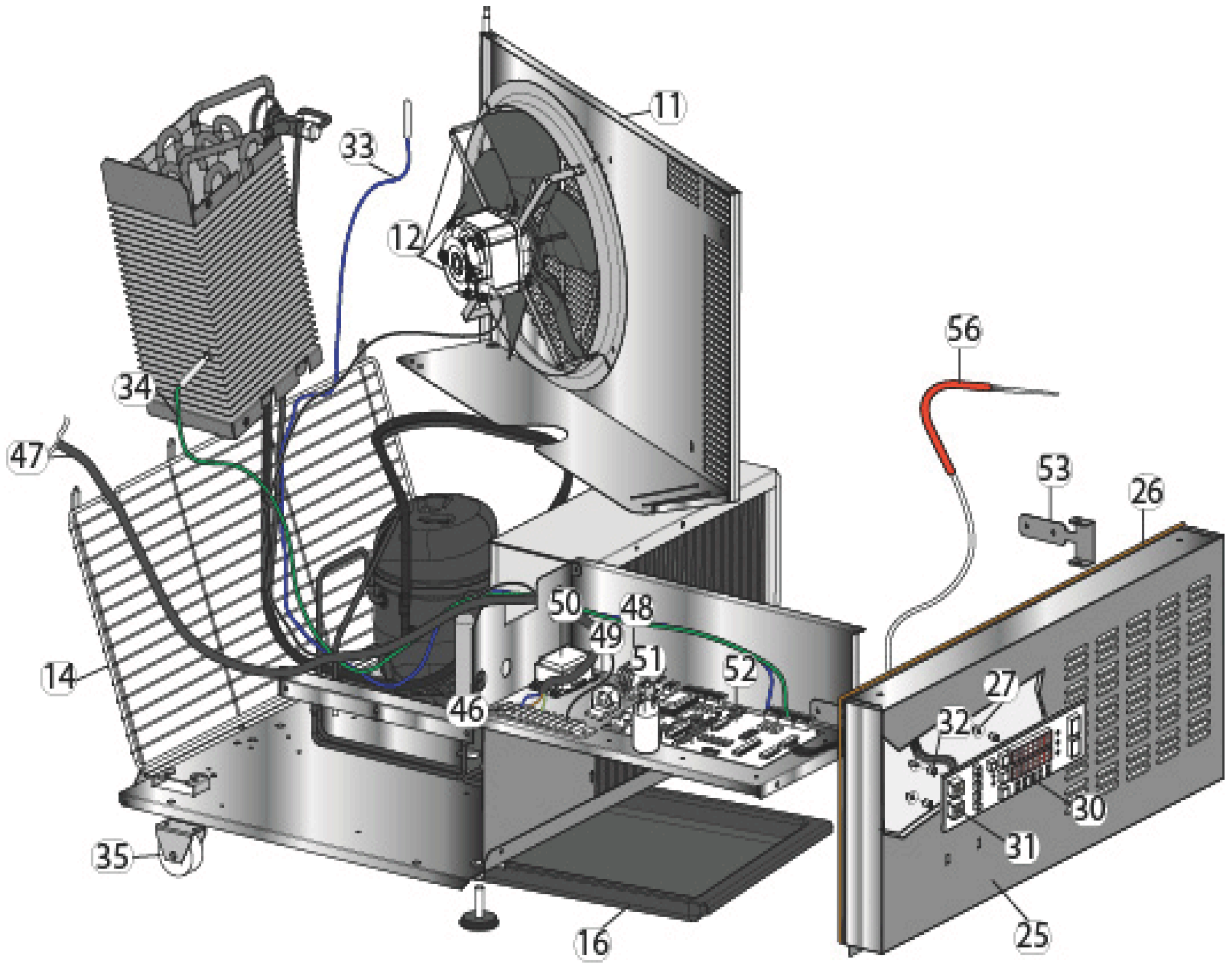


541318b Cooling unit

Grassetto = ultima modifica
 Bold = last change

* Componenti a richiesta
 * Components on demand

Control panel



541318 b parti elettriche

Grassetto = ultima modifica
Bold = last change

* Componenti a richiesta
* Components on demand

From Ser. Nr.43510001 / Up to Ser. Nr....

Page: 4

Updated Apr 2016

Ed. 02

Doc. Nr.: 54318b

**ABBATTITORI/CONGELATORI
BLAST CHILLERS AND FREEZERS**

BLAST CHILLERS/FREEZERS 10kg GN 1/1 CROSSWISE

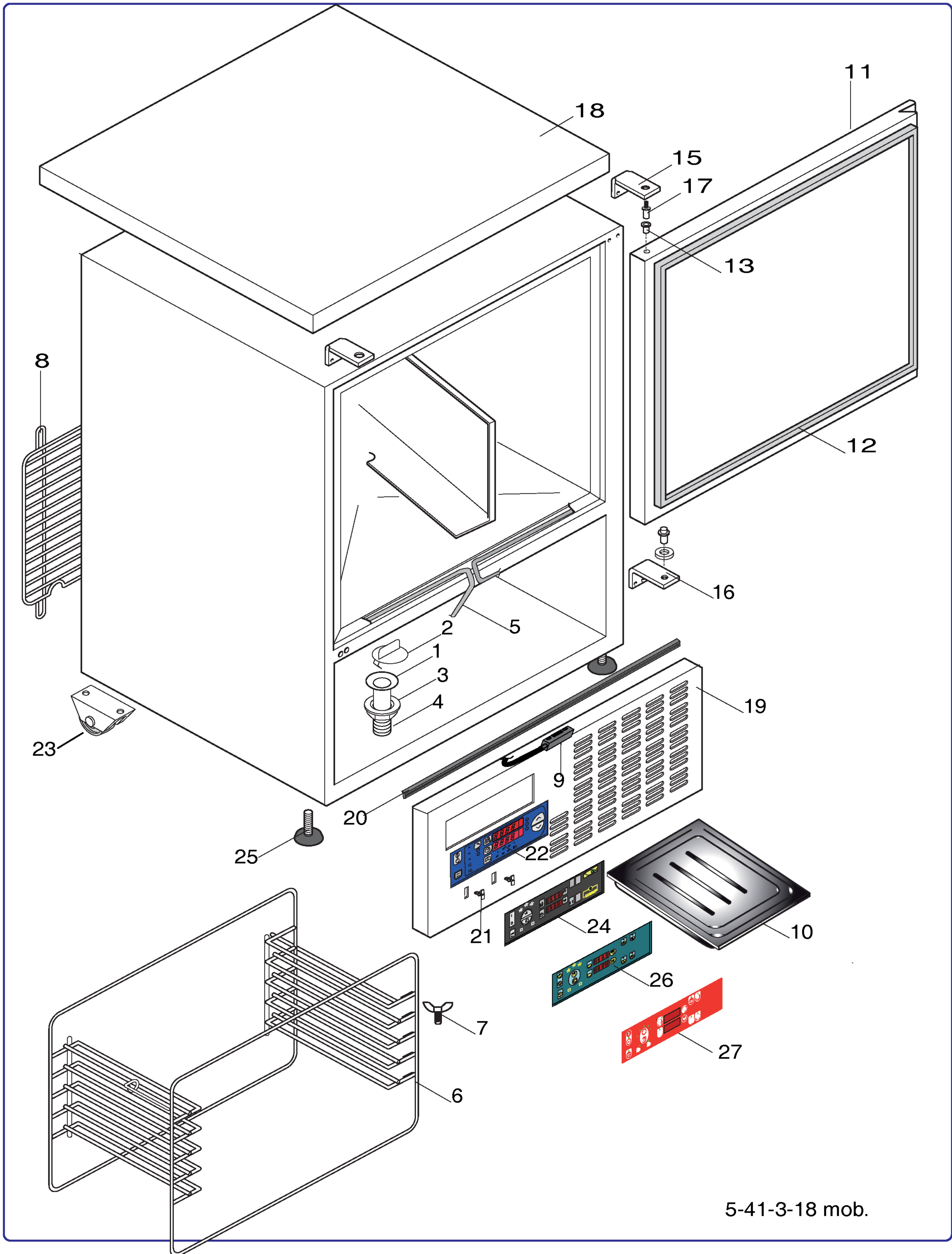
Code	Avv	Model	Description	Ref.	Page	Brand
726659	14	RBF051	BLAST CHILLER/FREEZER 12,5/7KG GN1/1	a	2 3 4 5 6	Electrolux
110781	13	BCF7A	BLAST CHILLER/FREEZER 12,5/7KG GN1/1	b	2 3 4 5 6	Zanussi
728526	13	EBAC005	BLAST CHILLER/FREEZER 12,5/7 KG GN1/1	c	2 3 4 5 6	Alpeninox
726658	14	RBC051	BLAST CHILLER 10KG GN1/1	d	2 3 4 5 6	Electrolux
110780	12	BC10A	BLAST CHILLER 10KG GN1/1	e	2 3 4 5 6	Zanussi
728525	12	EABP0071	BLAST CHILLER 10 KG GN1/1	f	2 3 4 5 6	Alpeninox
110031		AQC22U US	BLAST CHILLER 10KG GN1/1-120/1/60-US	g	2 3 4 5 6	Zanussi
110035	06		Crosswise 10 kg GN 1/1 Chiller 220\230\1\60hz	h	2 3 4 5 6	Zanussi
110039	06		Crosswise 7 kg GN 1/1 Freezer 220\230\1\60hz	i	2 3 4 5 6	Zanussi
728306	05	FRABC1011	BLAST CHILLER 10 KG GN1/1	l	2 3 4 5 6	Franstal
728311	05	FRABCF711	BLAST CHILLER/FREEZER 12,5/7 KG GN1/1	m	2 3 4 5 6	Franstal
727130	02	RBF0516	BLAST CHILL/FREEZER 12,5/7KG GN1/1-60HZ	n	2 3 4 5 6	Electrolux

Note:

This document is available until to Ser.N°~ 0350700..

Has been change the user board and food probes from ser.N°01700001 due to a new connectors. Please for other information look the tec.doc n°VTX.2010-03

Pag./Page	Indice	Index
2	Mobile	Cabinet
3	Lista ricambi	Spare parts list
4	Gruppo	Coling unit
5	Lista ricambi	Spare parts list
6	Lista ricambi	Spare parts list



5-41-3-18 mob.

